

# DOUBLE JU INTERNATIONAL Ltd.

Distribution of BARTHOLOMY Reel Handling Units



## BARTHOLOMY GW SELF-REEL-FEEDER



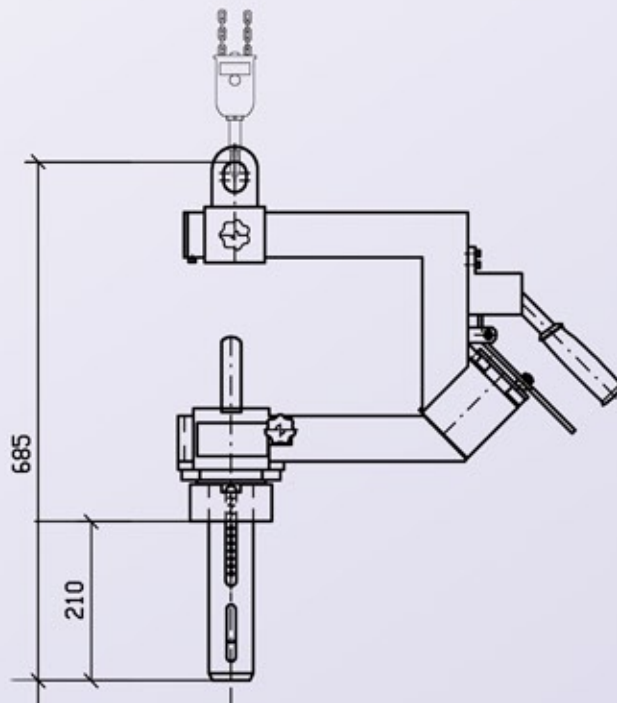
GW

### Reeldatas:

- Reelweight,  
standard: 100, 250, 400, 500 kg,  
Gmax: 500 kg
- Reeldiameter  
Dmax: 1.500 mm
- Reelwidth,  
Bmax: 650 mm
- Gripper:  
standard 70, 76,2 and  
150, 152,4 mm
- Available gripper  
for core: 30 - 650 mm
- Other dimension on request

### Product Features:

- simple operation
- small and handy
- pulley mechanic
- reel always balanced with  
reel width adjustment



Sample drawing GW 350 with  
adjusting ring on gripper

A working operation is shown on the back

# DOUBLE JU INTERNATIONAL Ltd.

Distribution of BARTHOLOMY Reel Handling Units



## Working operation BARTHOLOMY GW SELF-REEL-FEEDER:



1. Inserting



2. Set down



3. Lifting,  
gripping acts automatically



6. Removal



5. Set down



4. Turning