

DOUBLE JU INTERNATIONAL Ltd.

Distribution of BARTHOLOMY Reel Handling Units



BARTHOLOMY GW SELF-REEL-FEEDER



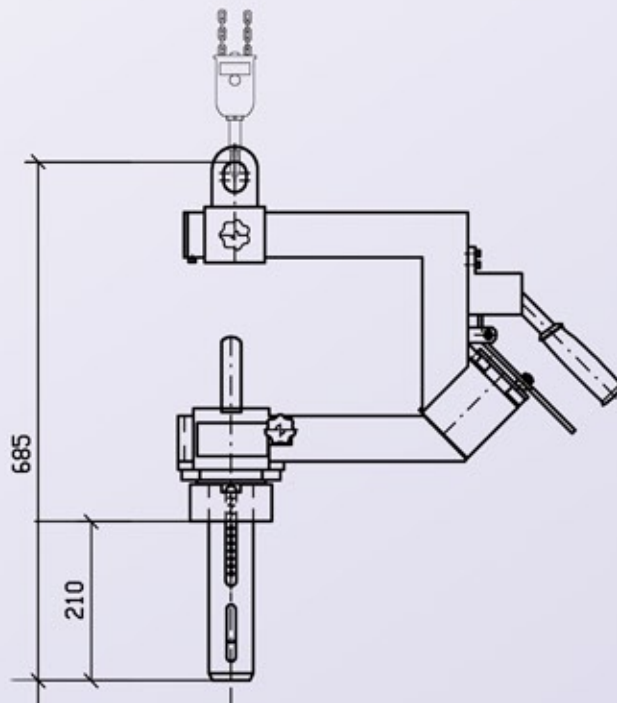
GW

Reeldatas:

- Reelweight,
standard: 100, 250, 400, 500 kg,
Gmax: 500 kg
- Reeldiameter
Dmax: 1.500 mm
- Reelwidth,
Bmax: 650 mm
- Gripper:
standard 70, 76,2 and
150, 152,4 mm
- Available gripper
for core: 30 - 650 mm
- Other dimension on request

Product Features:

- simple operation
- small and handy
- pulley mechanic
- reel always balanced with
reel width adjustment



Sample drawing GW 350 with
adjusting ring on gripper

A working operation is shown on the back

DOUBLE JU INTERNATIONAL Ltd.

Distribution of BARTHOLOMY Reel Handling Units



Working operation BARTHOLOMY GW SELF-REEL-FEEDER:



1. Inserting



2. Set down



3. Lifting,
gripping acts automatically



6. Removal



5. Set down



4. Turning